

JVC

2 Megapixel 21.3" Color Monitor

CL-R211



2 Megapixel Color Monitor

Premium design and high cost effective
2MP color monitor in pursuit of enhanced functions

21.3"

500
cd/m²

1800:1

16Bit
LUT

DisplayPort
&
DVI-D

Calibration
Function

Color
Front
Sensor

Uniformity
Equalizer

Dynamic
Gamma

Auto
Text
Mode

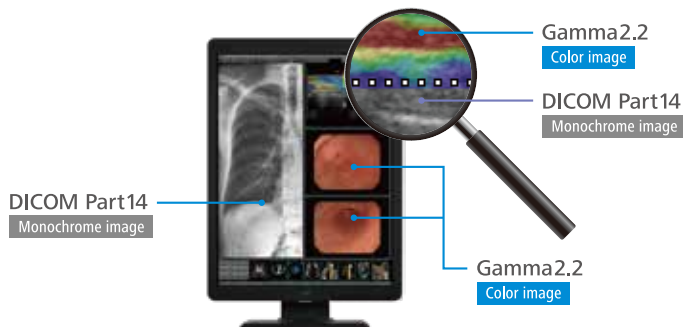
DisplayPort
Daisy
Chains

Human
Presence
Sensor

LED
Backlight

Dynamic Gamma

Color Images are automatically recognized to provide optimized contrast, brightness and gamma. No user intervention is required.



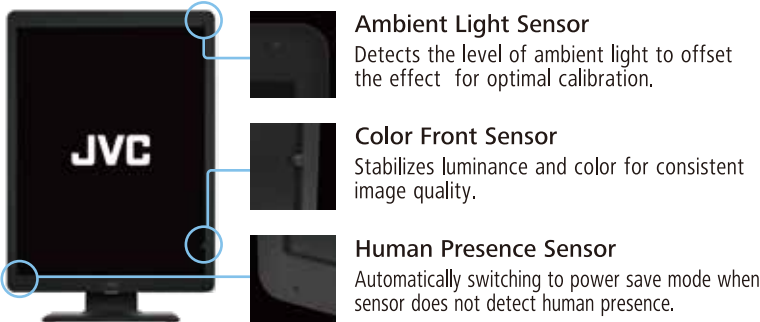
Integrated QA Solution **QA Medivisor Agent (Option)**

QA Medivisor Agent providing calibration and QA standard testing capabilities through an intuitive and easy to navigate user interface makes it effective to manage day-to-day operation in the radiology department. Simplified calibration scheduling tool QA Medivisor Agent LE is included.



* Optional calibration kit CAL-016 is required for standard QA testing.

Built-in Sensor



Space Saving

The new design of the CL-R211 reduces 25% of the stand footprint compared to the conventional models.

DisplayPort Daisy Chains

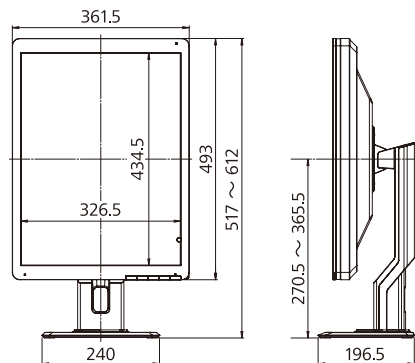
With the DisplayPort 1.2, the use of daisy chains allows for easier wiring connections.

●“JVC” is a brand of medical and industrial monitors manufactured and sold by JVCKENWOOD Corporation. ●Company names and product names are the registered trademarks of the respective companies. ●Product specifications and appearance are subject to change without notice. ●Colors in photographs may differ from actual colors due to the printing process. ●Images on screens are simulated.

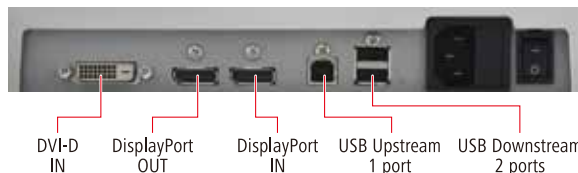
Specifications

Model Name	CL-R211	
LCD Panel	Technology	21.3" color TFT IPS technology
	Display Area	324 mm × 432 mm
	Pixel Pitch	0.270 mm × 0.270 mm
	Contrast Ratio	1800 : 1 (typ.)
	Maximum Luminance	500 cd/m ² (typ.) 280 cd/m ² · 250 cd/m ² (calibrated)
Visual Performance	Viewing Angle	178° vertical and horizontal
	Native Resolution	1200 × 1600
Interface	Input Signal	DVI-D (DVI 1.0 compliant) DisplayPort (DisplayPort 1.2a compliant)
	Output Signal	DisplayPort (DisplayPort 1.2a compliant) (daisy chain)
	Plug and Play	DDC2B compliant
Input Power Supply	Input Power Supply	100 V - 240 V 50 / 60Hz
	Maximum Power Consumption	45 W (typ.)
Features	Calibration Control	Luminance, Gamma, Color temperature Capable of storing 3 sets of LUT (Optional Calibration Kit is required)
	OSD Information Display	Model name, Serial No., Total operating time, Calibration settings (Operating time since last calibration, Luminance, Gamma), Current luminance, Color temperature and Ambient light, DICOM conformance
	USB Hub	USB Rev.2.0 compliant, Self-powered USB upstream connector (×1), USB downstream connector (×2)
	Other Features	Uniformity Equalizer, Hardware pivot, LED indicator, DisplayPort Daisy Chains, Advanced power management, Human Presence Sensor, Dynamic Gamma, Auto Text Mode, Luminance stabilization, Multiple LUT, Self DICOM check, Self-calibration
Approvals	ANSI/AAMI ES60601-1 (2005) + A1 (2012), CAN/CSA-C22.2 No.60601-1 (2014), CE (EN60601-1, EN60601-1-2), RCM, FCC Part15 subpart B Class B, ICES-003-B, VCCI-B, FDA510(k), J-Moss, RoHS	
Physical Characteristics	Dimensions (W × H × D)	Landscape : 493 mm × 451.3 / 546.3 mm × 196.5 mm Portrait : 361.5 mm × 517 / 612 mm × 196.5 mm
	Weight	8.9 kg
	Tilt Stand	Tilt, Swivel, Portrait / Landscape
	Mount	VESA standard (100 mm × 100 mm)
Security Slot	Anti-theft security slot	
Accessories	Power cord, DVI cable, DisplayPort cable, USB cable, Operation manual, Installation manual, Software (QA Medivisor Agent LE)	

Dimensions (mm)



Interface



Safety Precautions

- Please read the user's manual for safe and proper use.
- Do not expose the product to dust, moisture, steam, or oily smoke. It could cause fire, electric shock, or a failure.

Please contact our distributor below with inquiries and orders.

Healthcare Business Division
JVCKENWOOD Corporation
3-12, Moriya-cho, Kanagawa-ku, Yokohama-shi, Kanagawa, 221-0022, JAPAN
TEL: +81-45-450-1908 FAX: +81-45-450-1926
E mail : medical-display.j@jvckenwood.com
JVC Healthcare Website : <http://healthcare.jvc.com/>